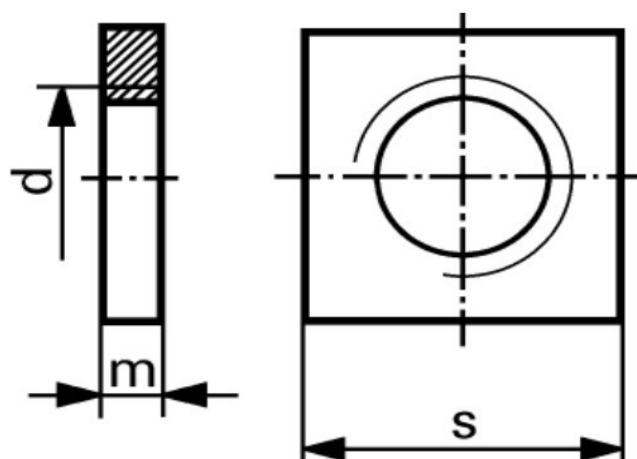




TRANSHOW INDUSTRY LIMITED

GAOYANG RD, ZHOUEAN VILLAGE, JIANGSHAN TOWN
 YINZHOU DISTRICT, NINGBO CITY, 315100 CHINA
 Tel: +86-574-8736.7873 Fax: +86-574-8736.4349
www.transhow.net Email: transhow@transhow.net

DIN562 SQUARE NUTS



d	s	m
		max.
quantity		
M		
2	4	1,2
2,5	5	1,6
3	5,5	1,8
3,5	6	2
4	7	2,2
5	8	2,7
6	10	3,2
8	13	4
10	17	5